

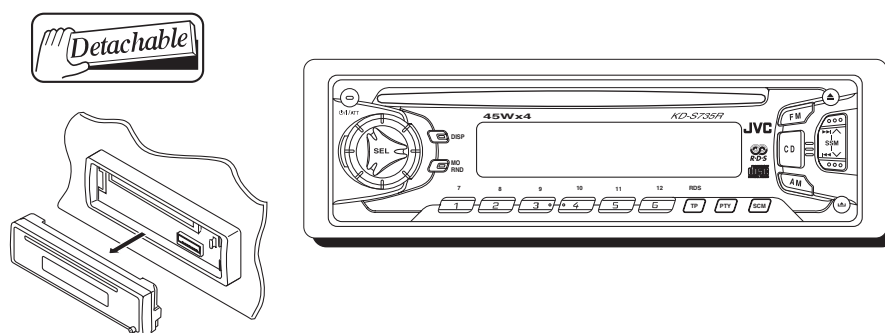
JVC

SCHEMATIC DIAGRAMS

CD RECEIVER

KD-S735R

CD-ROM No.SML200212



Area Suffix

E - - - - Continental Europe
EX - - - - - Central Europe

Contents

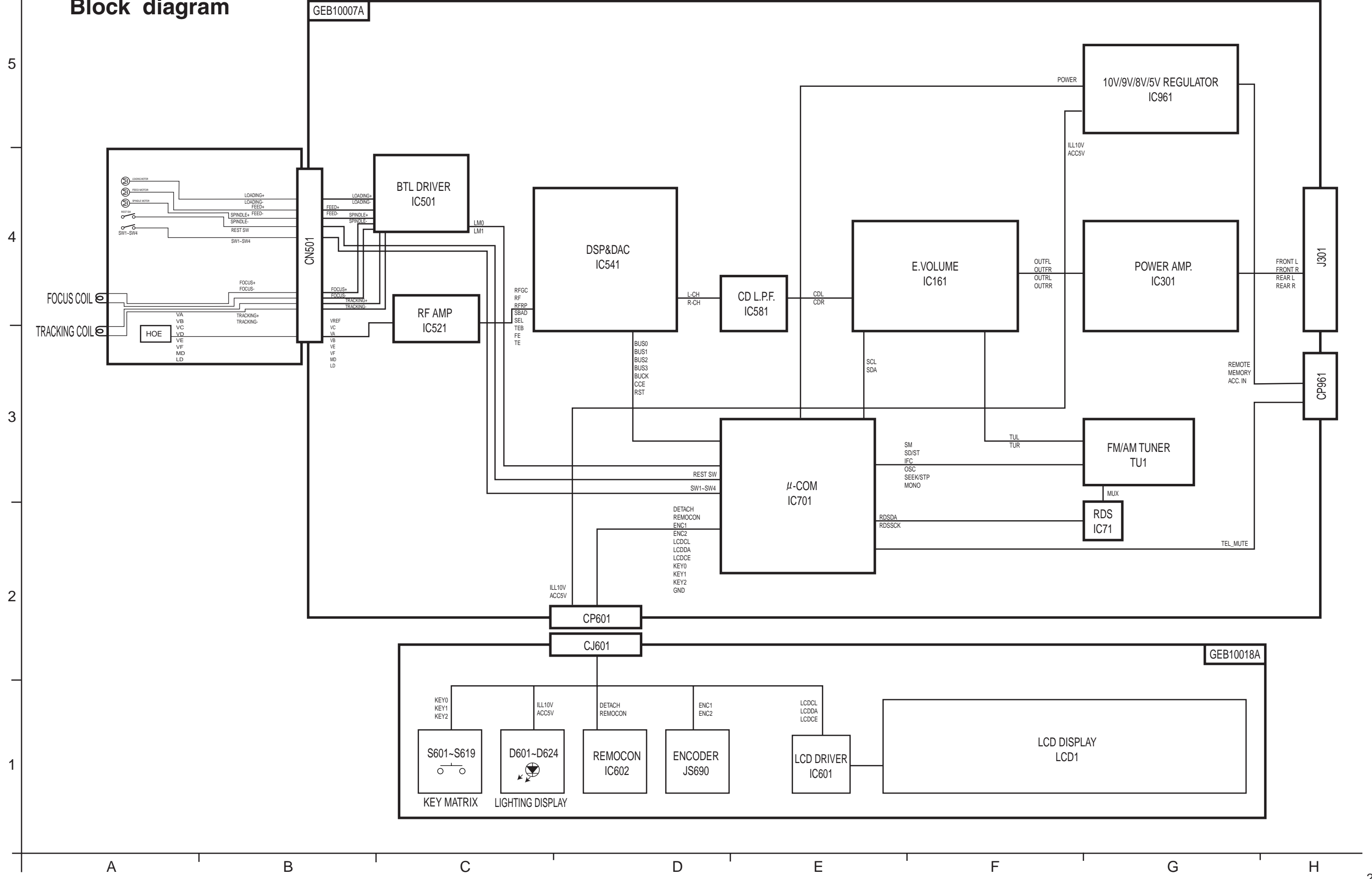
Block diagram	2-1
Standard schematic diagrams	2-2
Printed circuit boards	2-5~6

Safety precaution

 **CAUTION** Burrs formed during molding may be left over on some parts of the chassis. Therefore, pay attention to such burrs in the case of performing repair of this system.

 **CAUTION** Please use enough caution not to see the beam directly or touch it in case of an adjustment or operation check.

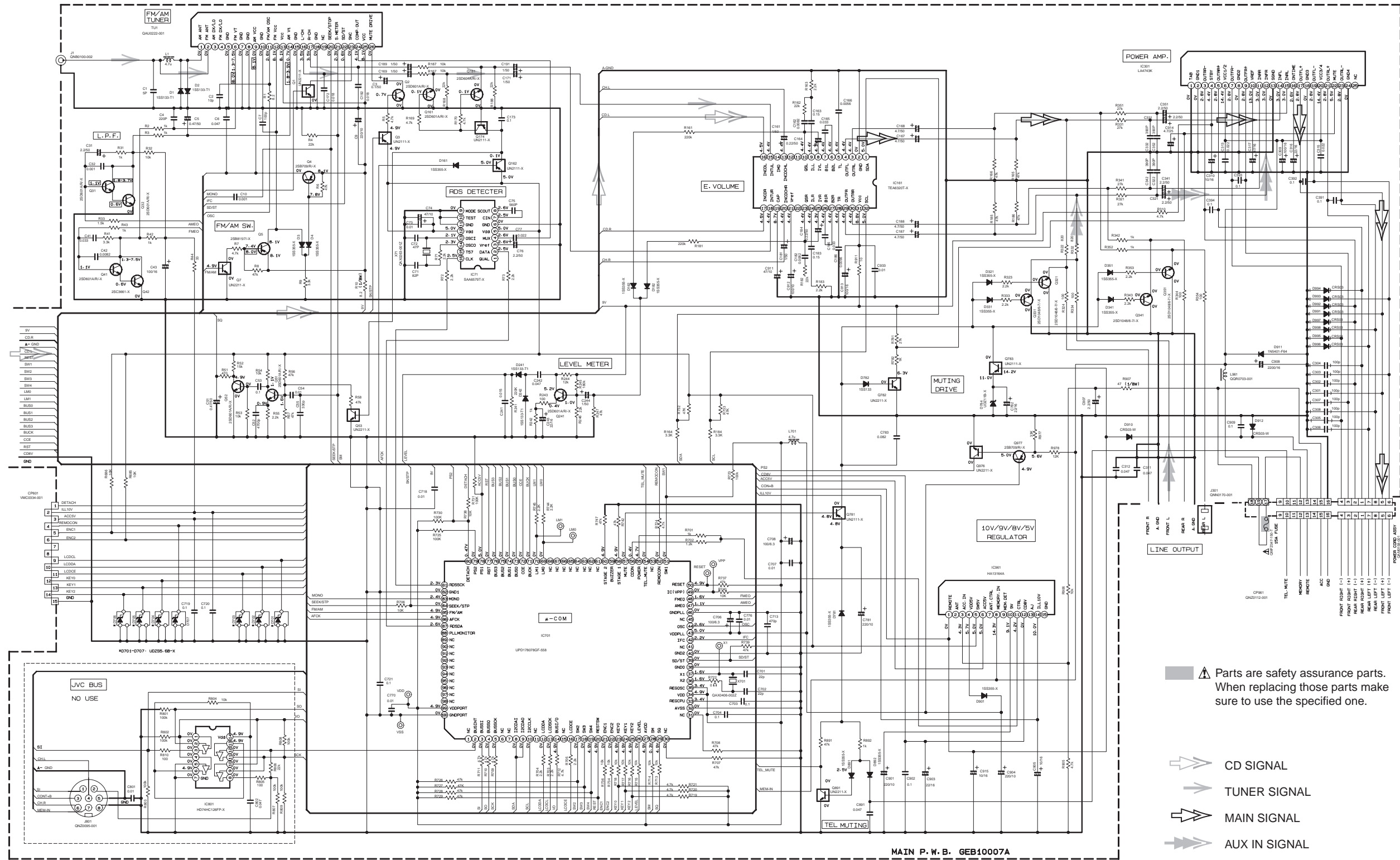
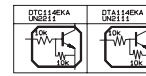
Block diagram



Standard schematic diagrams

Main amp. section

- NOTES
1. VOLTAGES ARE DC-MEASURED WITH A DIGITAL VOLT METER WITHOUT INPUT SIGNAL. CONDITION—FM MODE. () CD MODE.
 2. UNLESS OTHERWISE SPECIFIED, ALL RESISTORS ARE 1/10W 5% METAL GLAZE RESISTOR. ALL CAPACITORS ARE 50V OR 25V CERAMIC CAPACITOR. ALL RESISTANCE VALUES ARE IN OHM. ALL CAPACITANCE VALUES ARE IN UF(PpF). ALL E. CAPACITORS ARE SHOWN IN THE FORM OF CAPACITANCE(UF)/RATED VOLTAGE(V). TF — T.F. CAPACITOR.
 3. COMPONENTS IN () INDICATE NOT USE.



⚠ Parts are safety assurance parts. When replacing those parts make sure to use the specified one.

- ➡ CD SIGNAL
- ➡ TUNER SIGNAL
- ➡ MAIN SIGNAL
- ➡ AUX IN SIGNAL

MAIN P. W. B. GEB10007A

5
4
3
2
1

A B C D E F G H

■ Mecha control section

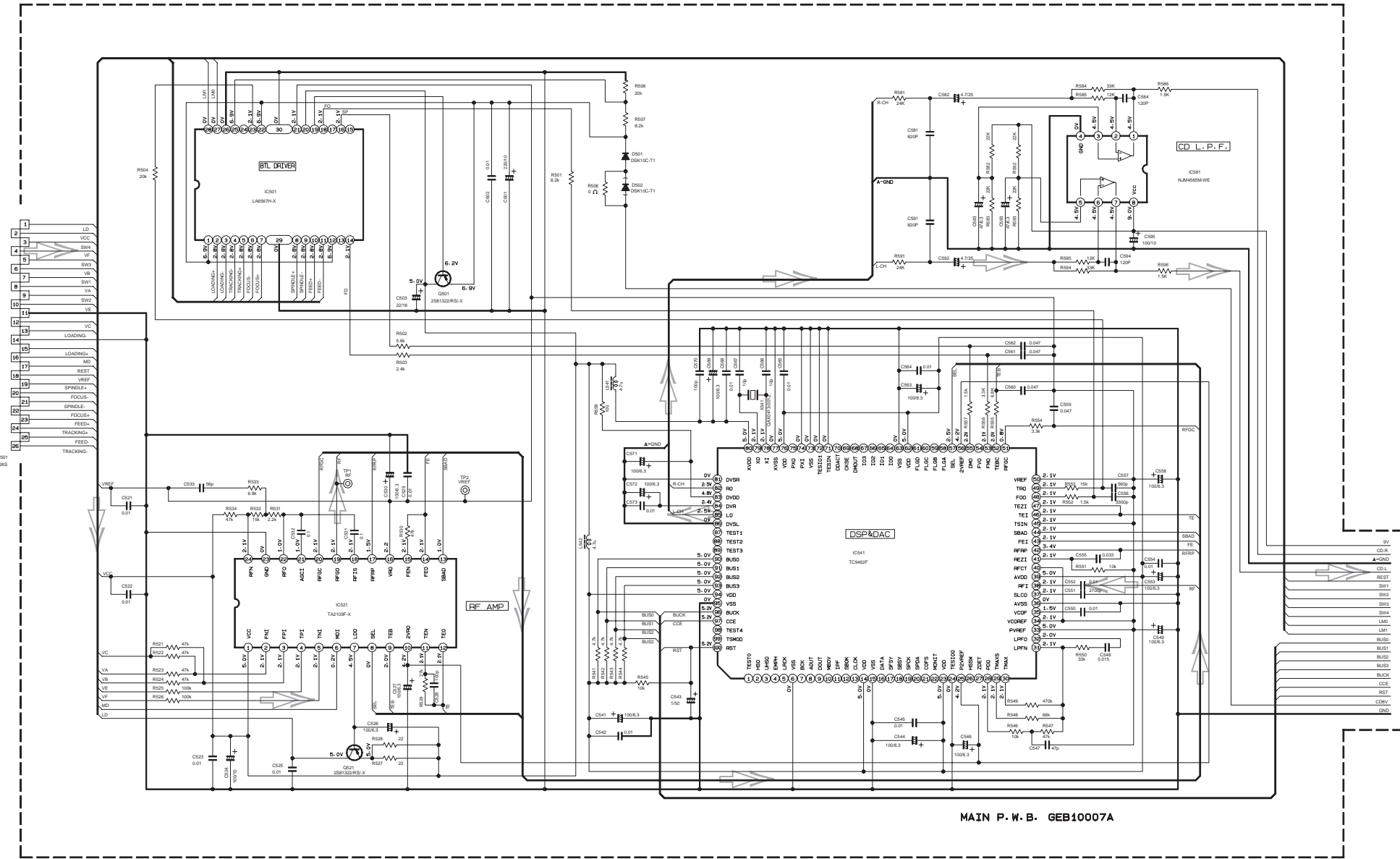
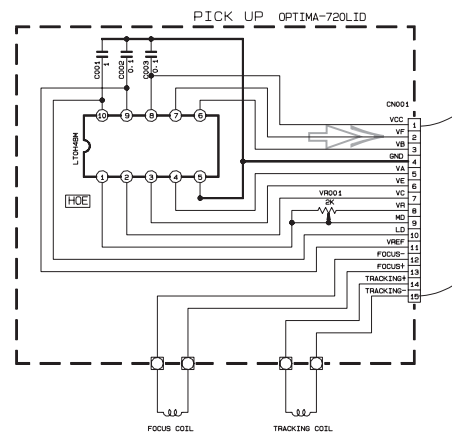
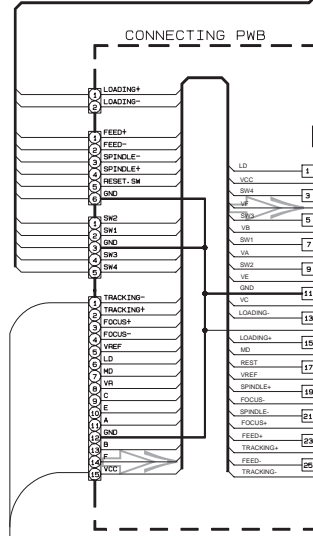
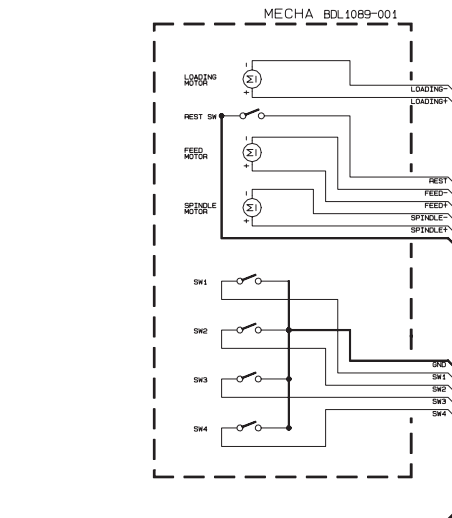
5

4

3

2

1



NOTES

- 1. UNLESS OTHERWISE SPECIFIED.
- ALL RESISTORS ARE 1/10W OR 1/4W ±5% METAL GLAZE RESISTOR.
- ALL CAPACITORS ARE 50V OR 25V CERAMIC CAPACITOR.
- ALL RESISTANCE VALUES ARE IN OHM.
- ALL CAPACITANCE VALUES ARE IN μF(p=pF)
- ALL E-CAPACITORS ARE SHOWN IN THE FORM OF CAPACITANCE(μF)/RATED VOLTAGE(V)
- TF --- T. F. CAPACITOR
- N --- N. F. CAPACITOR

➡➡➡ CD SIGNAL

A

B

C

D

E

F

G

H

■ LCD & Key switch section

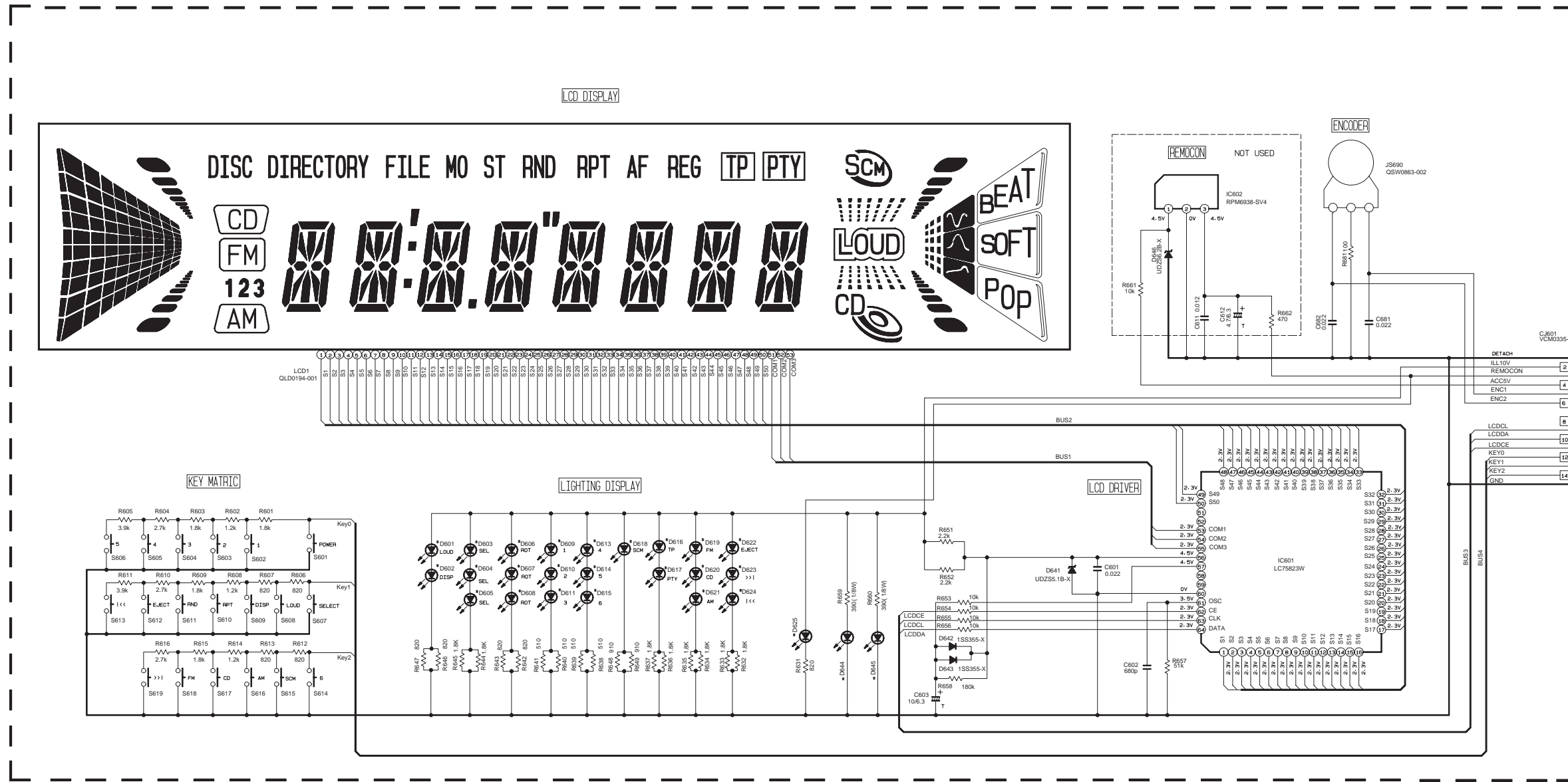
5

4

3

2

1



SW PWB : GEB10018A

NOTES

- VOLTAGES ARE DC-MEASURED WITH A DIGITAL VOLT METER WITHOUT INPUT SIGNAL.
- UNLESS OTHERWISE SPECIFIED, ALL RESISTORS ARE 1/4W ±5% METAL GLAZE RESISTOR. ALL CAPACITORS ARE 50V OR 25V CERAMIC CAPACITOR. ALL RESISTANCE VALUES ARE IN Ω. ALL CAPACITANCE VALUES ARE IN μF (P=PF). ALL E-CAPACITORS ARE SHOWN IN THE FORM OF CAPACITANCE(μF)/RATED VOLTAGE(V). T --- TANTALUM CAPACITOR.
- COMPONENTS IN () INDICATE NOT USE.

*REMARKS

D625	SML-310LT/MV/-X	RED
D644 D645	NSPW310BS/BRS/	WHITE
D601-D611 D613-D624	SML-310VT/JK/-X	RED
D618	LNJ308GB1/1-3/X	GREEN

A

B

C

2-4
D

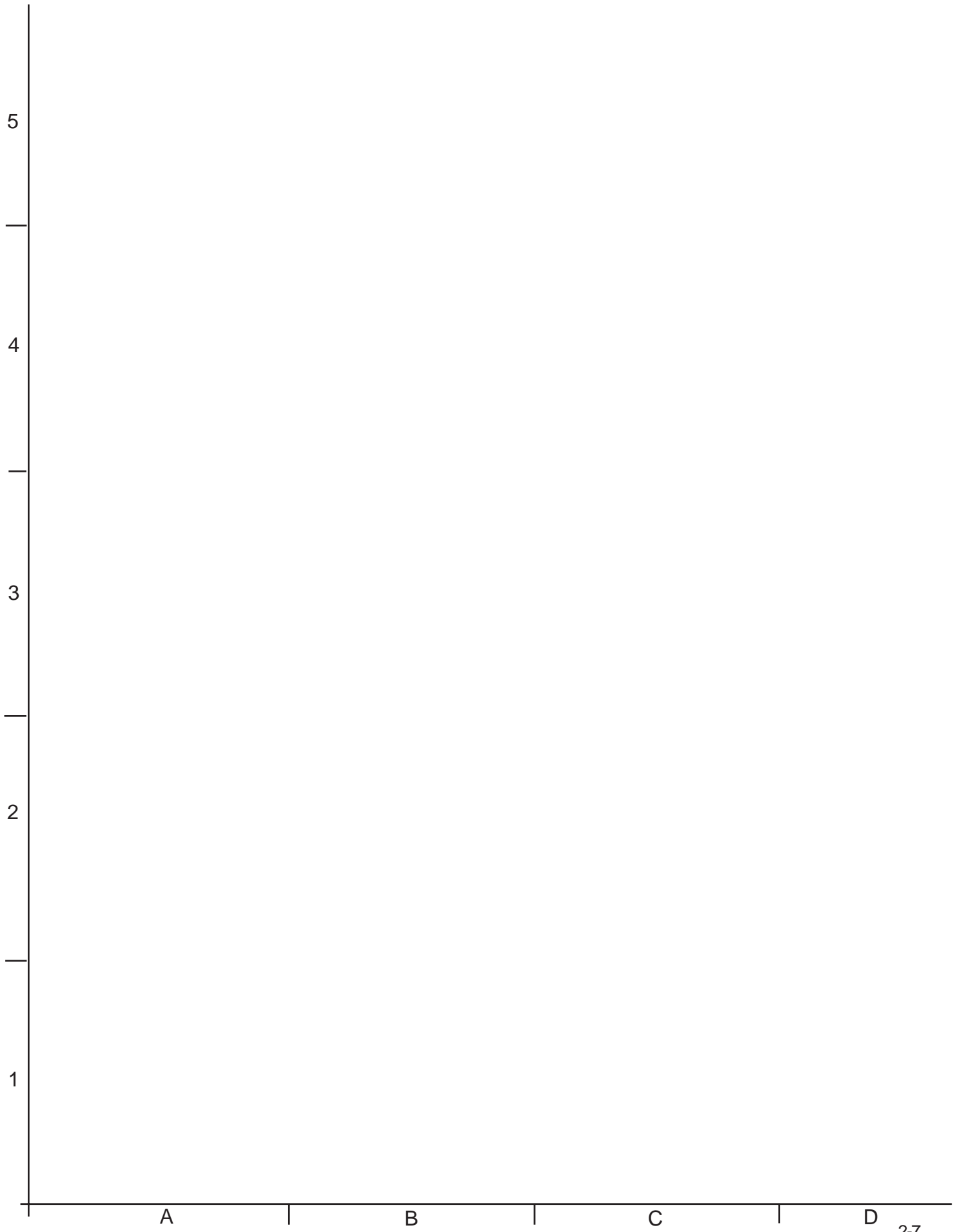
E

F

G

H

< MEMO >



JVC

VICTOR COMPANY OF JAPAN, LIMITED

MOBILE ELECTRONICS DIVISION

PERSONAL & MOBILE NETWORK BUSINESS UNIT. 10-1,1Chome,Ohwatari-machi,Maebashi-city,371-8543,Japan